

PRODUCT	AYLESBURY K-TYPE
DRAWING REF	K 15-50 A-01
DRAWING VIEW	DIMENSIONS – FRONT VIEW



# SIZES (DN):

½”(15)	1”(25)	1½”(40)HF
¾”(20)	1¼”(32)	2”(50)SF

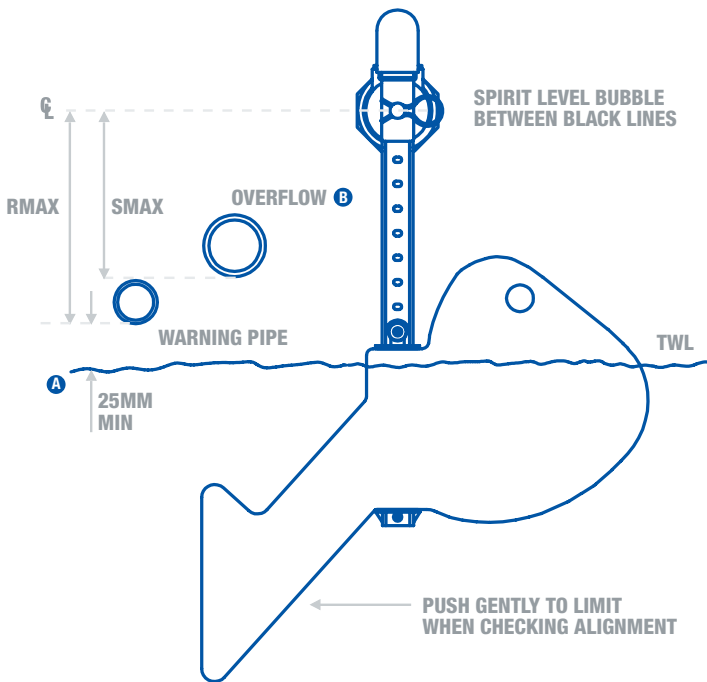
**WARNING**

THE FLOAT ARM MUST BE FITTED ABSOLUTELY VERTICALLY (IN THE OPEN POSITION) AS INDICATED BY THE SPIRIT LEVEL (SEE BELOW).

MISALIGNMENT WILL PREVENT THE VALVE FROM CLOSING.

ENSURE OVERFLOWING LEVEL IS NOT LOWER THAN THAT SHOWN BELOW (RMAX); AND HIGHER FOR TURBULENT WATER.

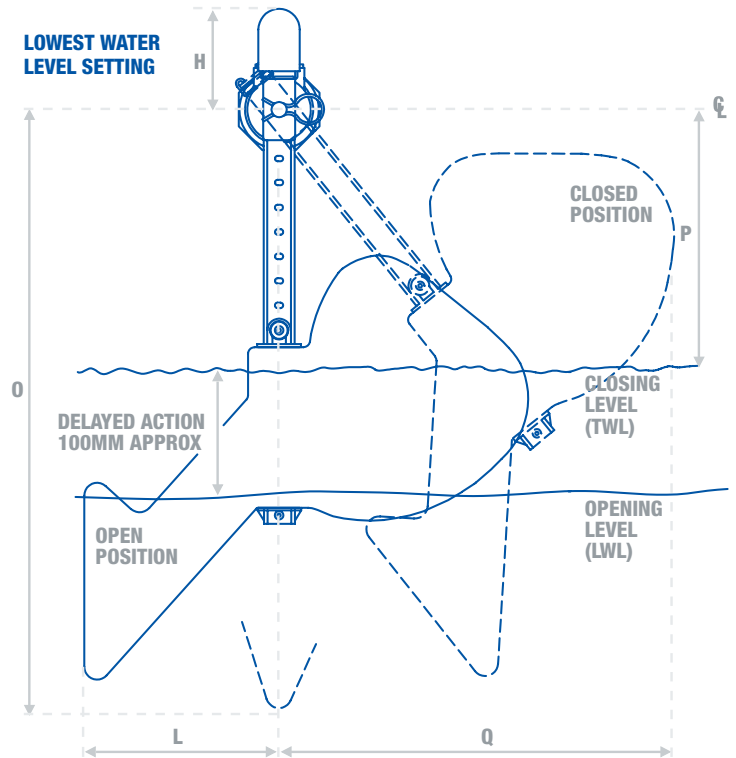
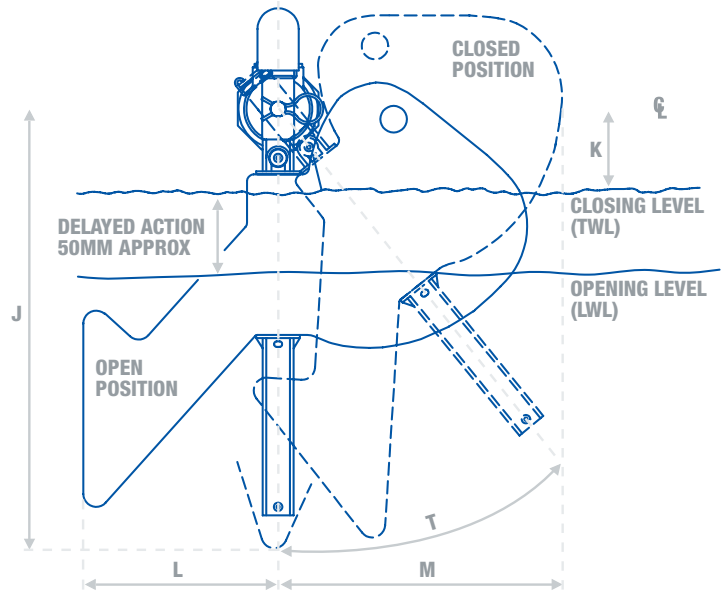
LEVEL DIFFERENTIAL: 50 - 100MM NON-ADJUSTABLE DELAYED ACTION.



**NOTES:**

**A** SCHD2, SECT 7, G16.5 Water Regs. Gaps should be more if water is turbulent – especially if near valve discharge. 40mm minimum for valves 1½” (DN 40mm) or larger – recommended by KERAFLO.

**B** Typically twice inlet bore. SCHD 2, SECT 7, G16.10 Water Regs. Warning/overflow pipes should be capable of taking any possible flow in the pipe arising from inlet valve failure.



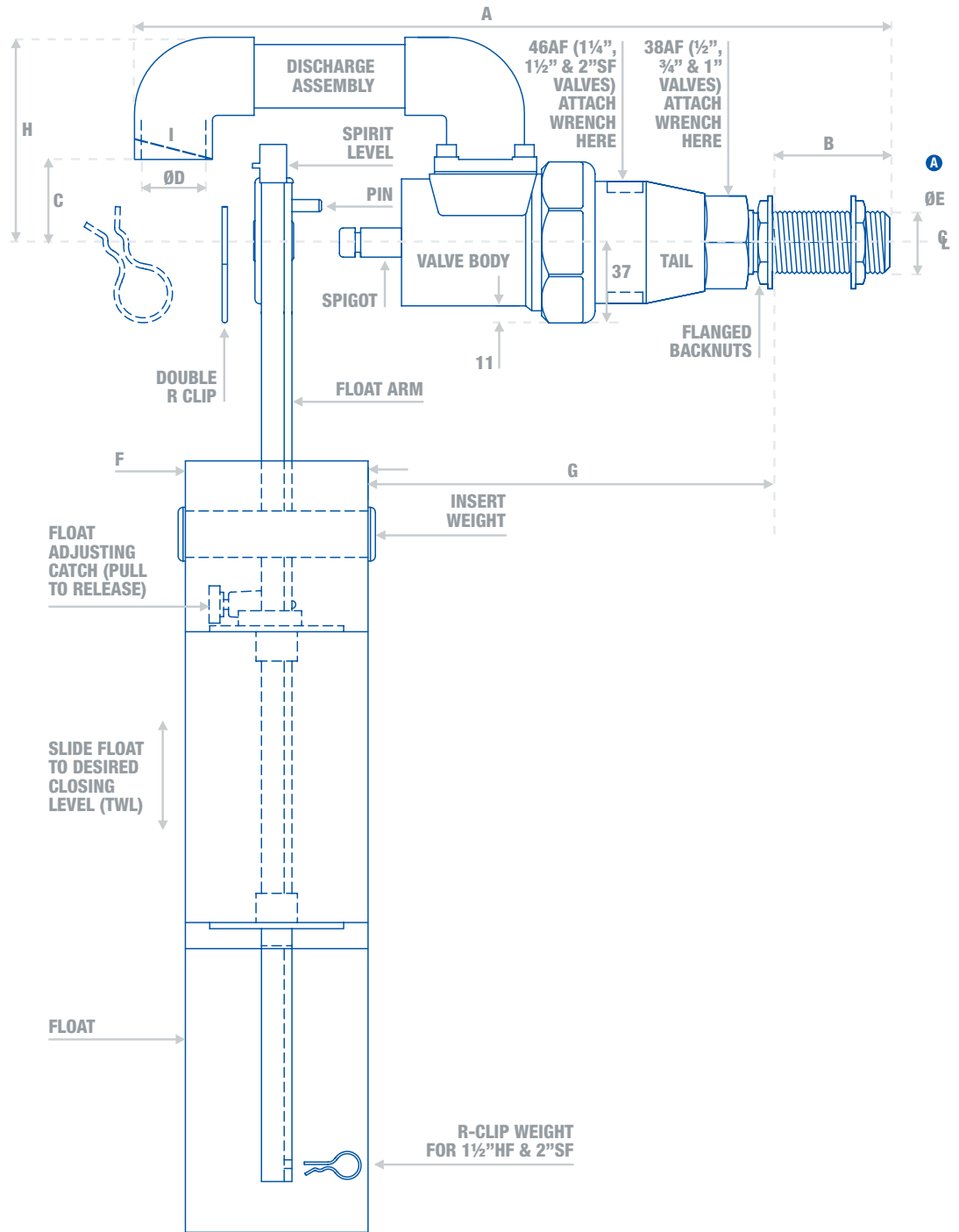
DN	15	20	25	32	40HF	50SF
SIZE	½”	¾”	1”	1¼”	1½”HF	2”SF
H	83	83	83	111	111	111
J	340	340	340	370	390	390
K	70	70	70	70	80	90
L	155	155	155	155	155	155
M	225	225	225	225	270	270
N	30	30	30	60	25	25
O	470	470	470	510	510	510
P	210	210	210	250	250	250
Q	315	315	315	340	340	340
RMAX	185	185	185	225	225	225
SMAX	160	160	160	200	200	200
T	30°	30°	30°	30°	40°	40°

PRODUCT	AYLESBURY K-TYPE
DRAWING REF	K 15-50 A-01
DRAWING VIEW	DIMENSIONS – SIDE VIEW



## SIZES (DN):

- ½”(15)
- ¾”(20)
- 1”(25)
- 1¼”(32)
- 1½”(40)HF
- 2”(50)SF



### BASIC SPECIFICATION:

Maximum static pressure: 10bar

Maximum flow rate: 3m/s nominal pipe velocity (Flow Rate and Pipe Velocity chart is available at [www.keraflo.co.uk](http://www.keraflo.co.uk))

Temperature range: 1° – 60°C

Level differential: 50 - 100mm non-adjustable delayed action, parallel male BSP (G) connection.

### NOTES

- Ⓐ Suitable for spigot and fibre washer fittings on ½”, ¾” and 1” valves

DN	15	20	25	32	40HF	50SF
SIZE	½”	¾”	1”	1¼”	1½”HF	2”SF
A	320	330	330	345	390	395
BMAX	35	44	44	55	85	92
C	33	33	33	55	55	55
ØD	19.5	19.5	26.9	35.4	35.4	35.4
ØE	21	26.5	33	42	47.5	60
F	75	75	75	90	200	200
GMIN	123	124	124	99	59	60
H	83	83	83	111	111	111
I	-	-	-	-	45°	45°