

PRODUCT	AYLESBURY K-TYPE
DRAWING REF	K 50-80 A-01
DRAWING VIEW	DIMENSIONS – FRONT VIEW

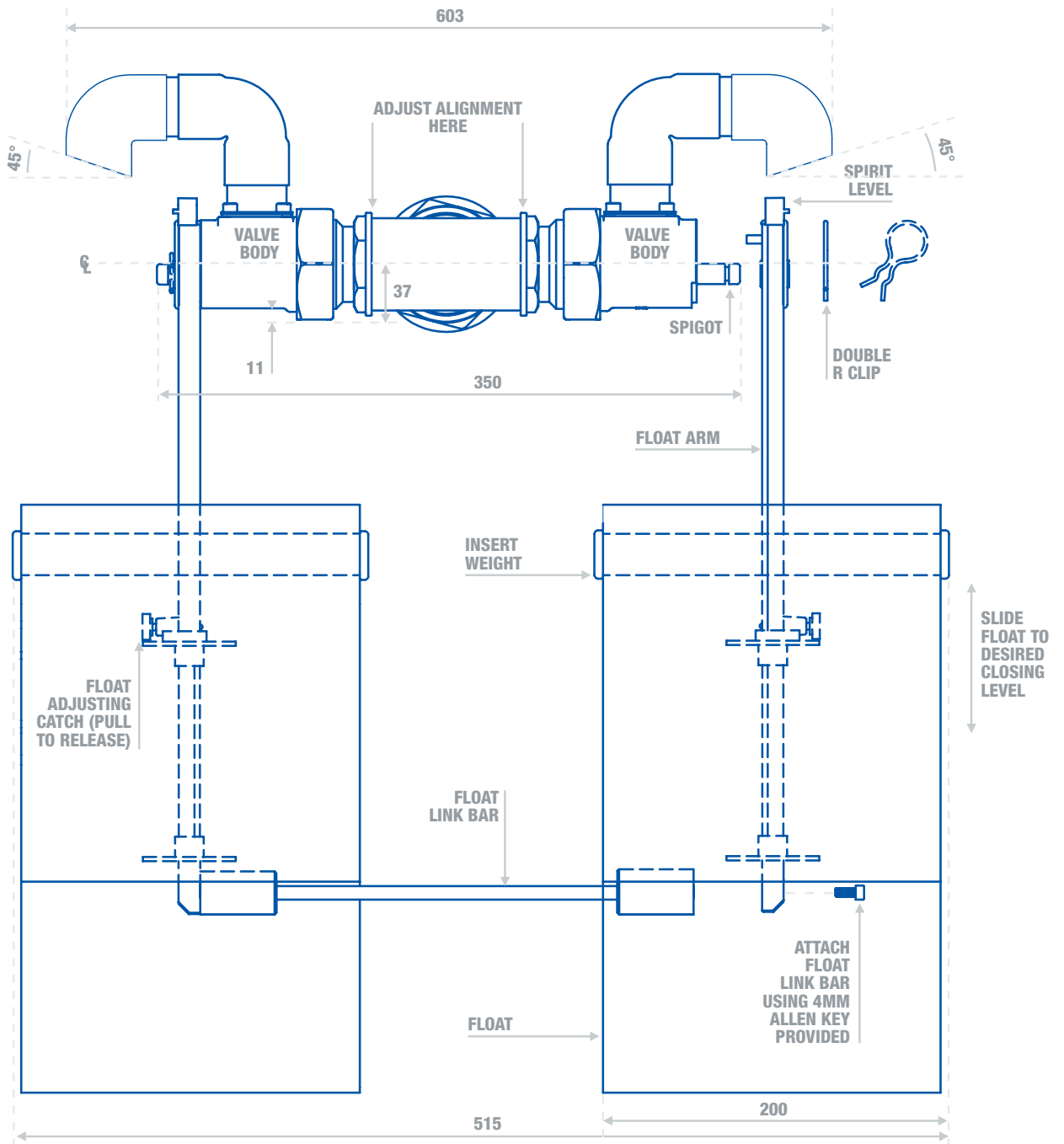


# SIZES (DN):

2”(50)HF

2½”(65)SF

3”(80)RB



## BASIC SPECIFICATION:

Maximum static pressure: 10bar

Maximum flow rate: 3m/s nominal pipe velocity (Flow Rate and Pipe Velocity chart is available at [www.keraflo.co.uk](http://www.keraflo.co.uk))

Temperature range: 1° – 60°C

Level differential: 50 - 100mm non-adjustable delayed action

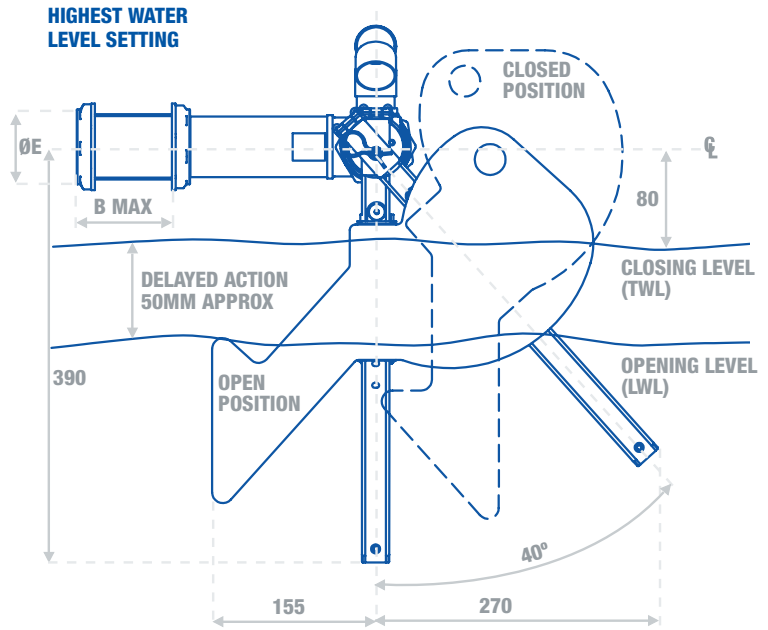
PRODUCT	AYLESBURY K-TYPE VALVE
DRAWING REF	K 50-80 A-01
DRAWING VIEW	DIMENSIONS – SIDE VIEW



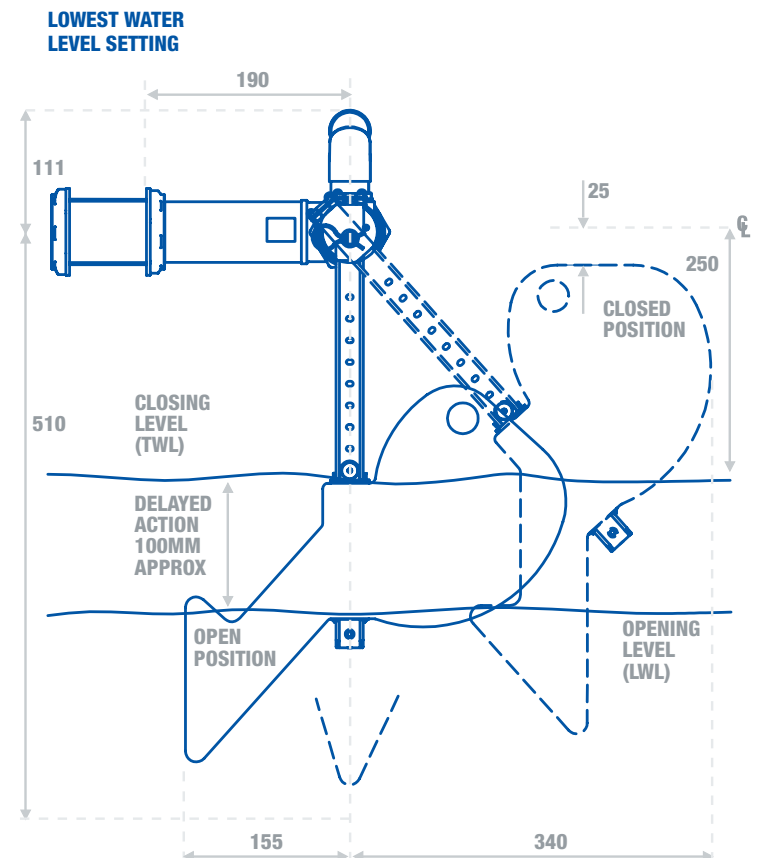
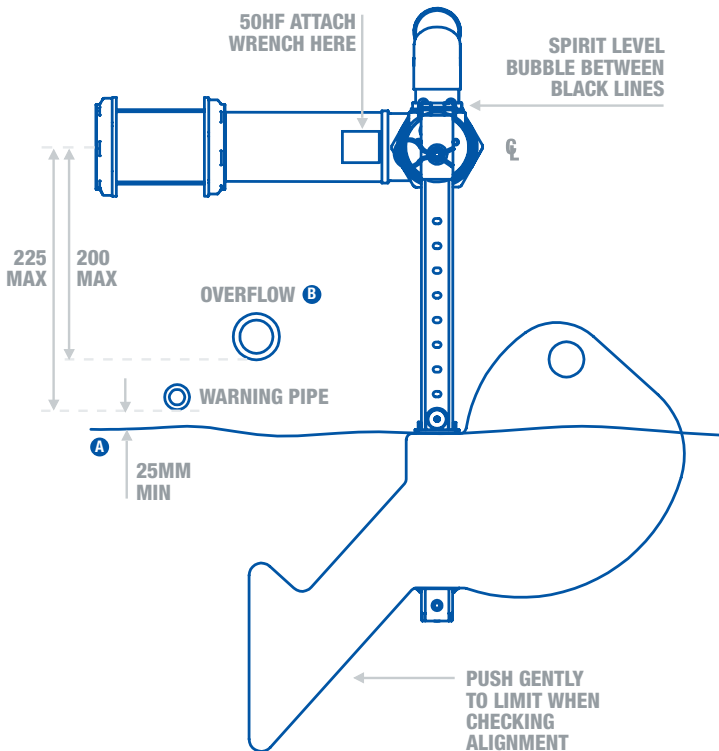
# SIZES (DN):

2”(50)HF    2½”(65)SF    3”(80)RB

**WARNING**  
**THE FLOAT ARM MUST BE FITTED ABSOLUTELY VERTICALLY (IN THE OPEN POSITION) AS INDICATED BY THE SPIRIT LEVEL (SEE BELOW).**  
**MISALIGNMENT WILL PREVENT THE VALVE FROM CLOSING.**  
**ENSURE OVERFLOW LEVEL IS NOT LOWER THAN 225MM FROM THE CENTRE LINE OF THE VALVE.**  
**THE WARNING PIPE AND OVERFLOW OUTLET SHOULD ALWAYS BE ABOVE THE HIGHEST WATER LEVEL ACHIEVED BEFORE THE VALVE CLOS.**



HIGHEST WATER LEVEL SETTING



LOWEST WATER LEVEL SETTING

**NOTES:**

- A** SCHD2, SECT 7, G16.5 Water Regs. Gaps should be more if water is turbulent – especially if near valve discharge.
- B** Typically twice inlet bore. SCHD 2, SECT 7, G16.10 Water Regs. Warning/overflow pipes should be capable of taking any possible flow in the pipe arising from inlet valve failure.

DN	50HF	65SF	80RB
SIZE	2”	2½”	3”
BMAX	95	100	99
ØE	60	75.5	89