

PRODUCT	AYLESBURY KAX TYPE
DRAWING REF	KAX 50-80 A-01
DRAWING VIEW	DIMENSIONS – FRONT VIEW

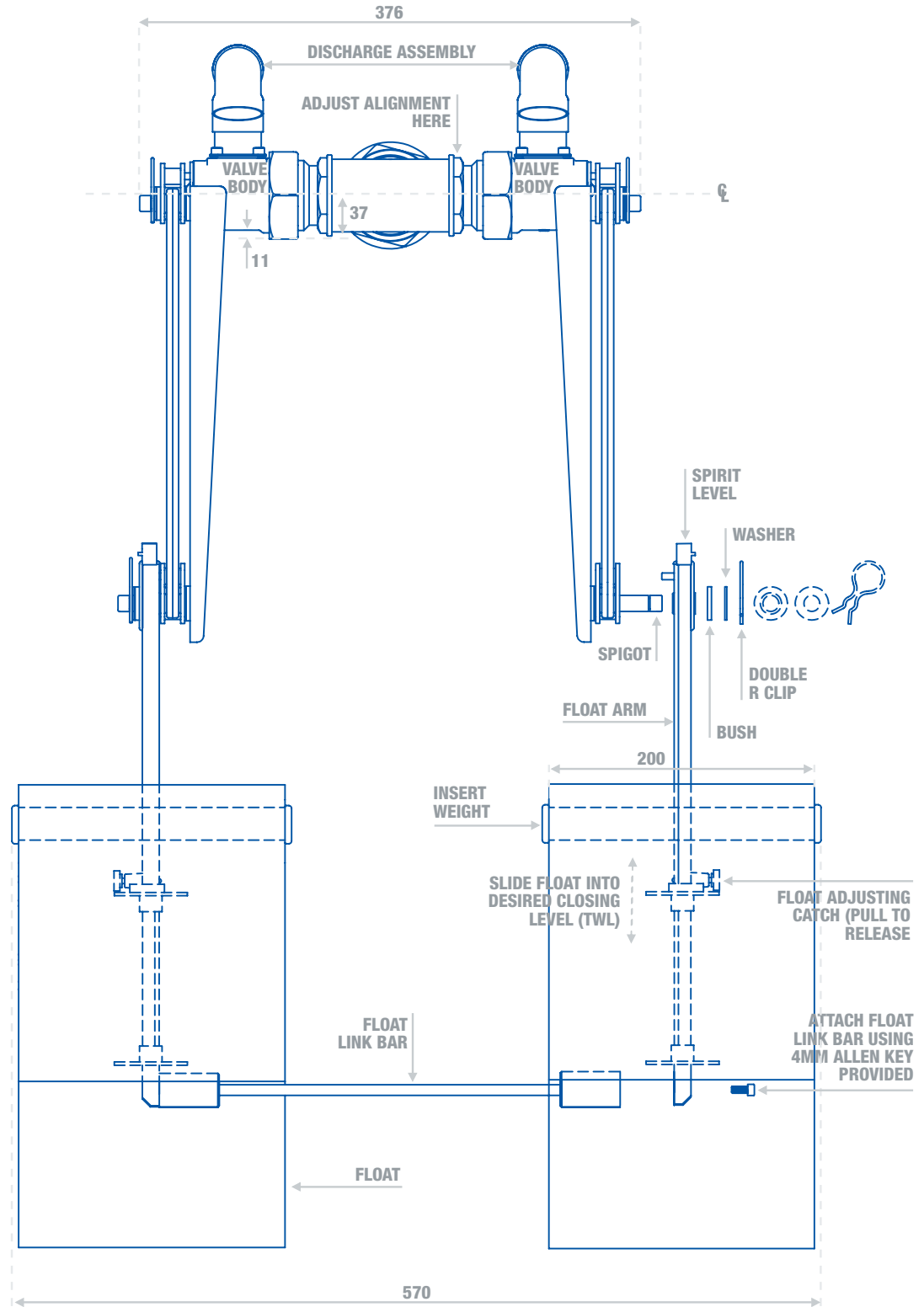


# SIZES (DN):

2”(50)HF

2½”(65)SF

3”(80)RB



## BASIC SPECIFICATION:

Maximum static pressure: 10bar

Maximum flow rate: 3m/s  
nominal pipe velocity (Flow Rate and Pipe Velocity chart is available at [www.keraflo.co.uk](http://www.keraflo.co.uk))

Temperature range: 1°C – 60°C

Level differential: 125 – 166mm  
non-adjustable delayed action

Parallel male BSP (G)  
connection.

PRODUCT	AYLESBURY KAX VALUE
DRAWING REF	KAX 50-80 A-01
DRAWING VIEW	DIMENSIONS – SIDE VIEW

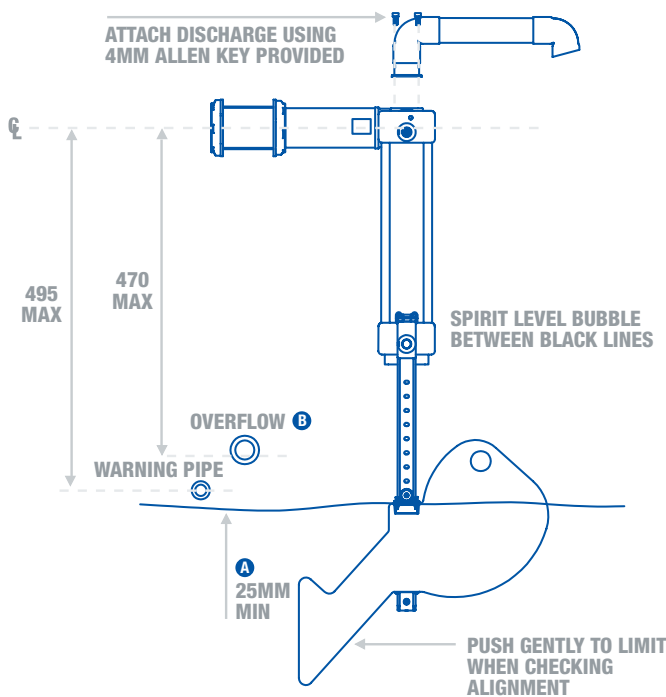
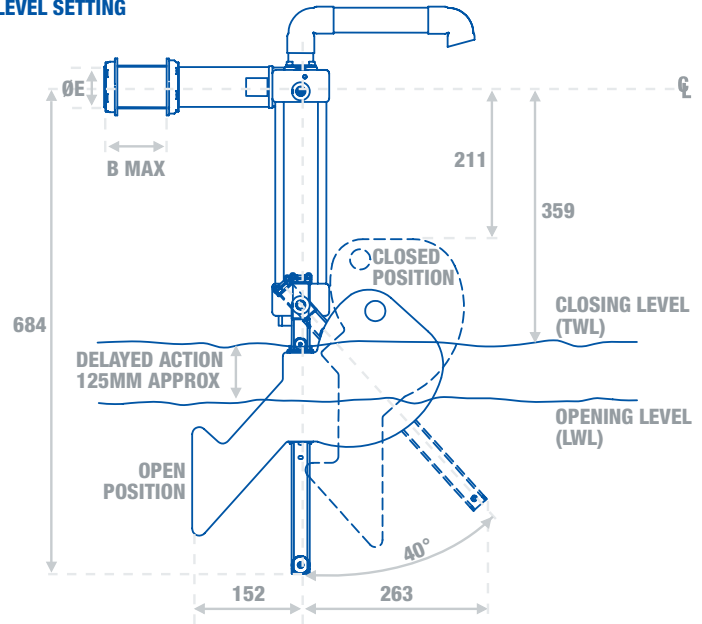


# SIZES (DN):

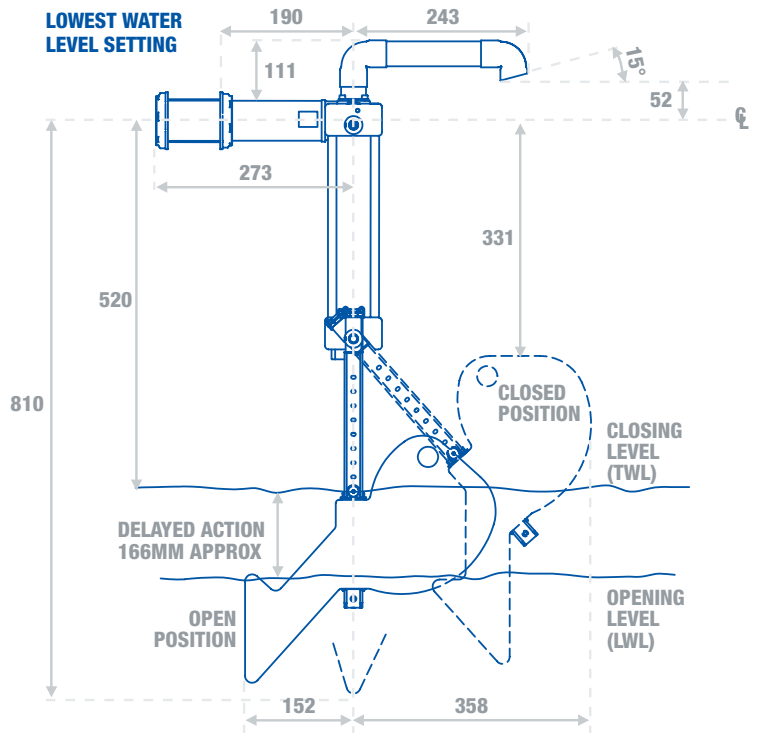
2”(50)HF    2½”(65)SF    3”(80)RB

**WARNING**  
 THE FLOAT ARM MUST BE FITTED ABSOLUTELY VERTICALLY (IN THE OPEN POSITION) AS INDICATED BY THE SPIRIT LEVEL (SEE BELOW).  
 MISALIGNMENT WILL PREVENT THE VALVE FROM CLOSING.  
 ENSURE OVERFLOW LEVEL IS NOT LOWER THAN 470MM FROM THE CENTRE LINE OF THE VALVE; AND HIGHER FOR TURBULENT WATER.  
 THE WARNING PIPE AND OVERFLOW OUTLET SHOULD ALWAYS BE ABOVE THE HIGHEST WATER LEVEL ACHIEVED BEFORE THE VALVE CLOSES.

HIGHEST WATER LEVEL SETTING



LOWEST WATER LEVEL SETTING



**NOTES:**

- A** SCHD2, SECT 7, G16.5 Water Regs. Gaps should be more if water is turbulent – especially if near valve discharge.
- B** Typically twice inlet bore. SCHD 2, SECT 7, G16.10 Water Regs. Warning/overflow pipes should be capable of taking any possible flow in the pipe arising from inlet valve failure.

DN	50HF	65SF	80RB
SIZE	2”HF	2½”SF	3”RB
BMAX	95	100	99
ØE	60	75.5	89