

QUICK REFERENCE GUIDE

FOR KERAFLO SPARES KIT



WHICH KIT?

This is a simple guide to fitting a Keraflo spares kit into any Keraflo valve. For more detailed instructions refer to the full installation guide available at www.keraflo.co.uk

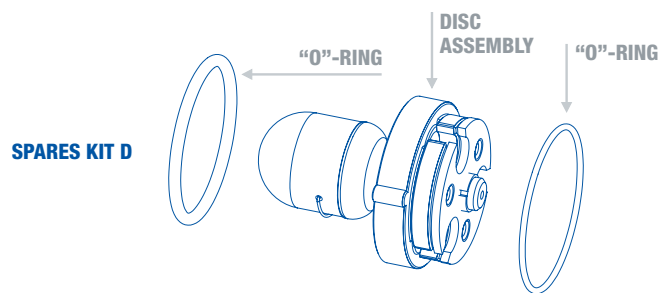
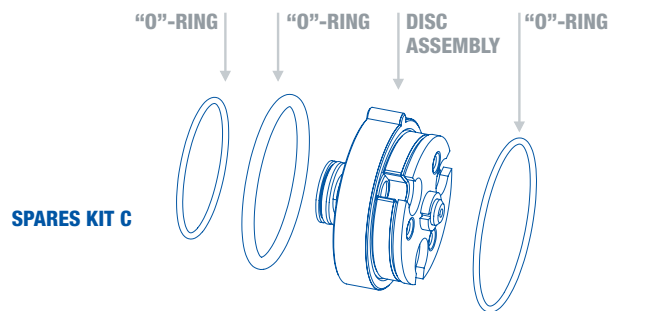


	½"	¾"	1"	1¼"	1½"SF	1½"HF	2" SF	2"HF	2½"SF	3"RB
SPARES KIT C	✓	✓	✓	✓	✓					
SPARES KIT D						✓	✓	✓	✓	✓

COMPONENTS

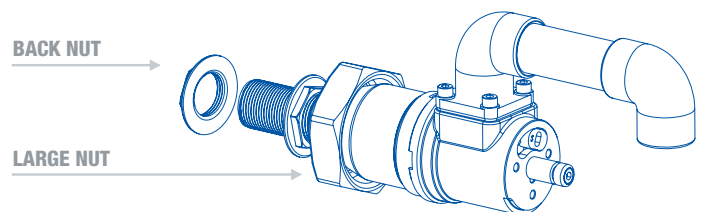
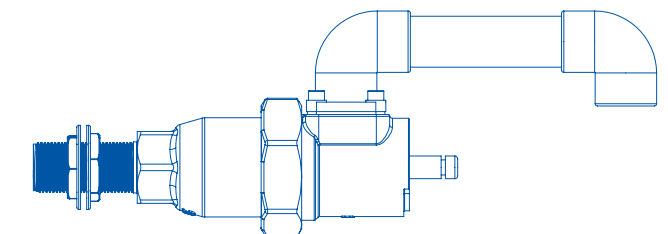
You will have either a Spares Kit C or Spares Kit D, comprising of a cartridge assembly and either 2 or 3 "o"-rings, depending on the type of kit. (Kit C has 3 "o"-rings and kit D has 2 "o"-rings.)

If you have a twin-outlet valve arrangement, two spares kits will be required. Replace both sets of discs at the same time



DISASSEMBLY

- 1 Isolate the valve from the water supply and drain excess water from the valve by opening it.
- 2 Remove the float system and retain all parts. Undo the large nut holding the two parts of the valve together and split the valve apart.
- 3 You should now have the valve body and the valve tail separated.
- 4 Ensure the actuator assembly remains intact and in place, within the valve body.



REPLACE DISCS

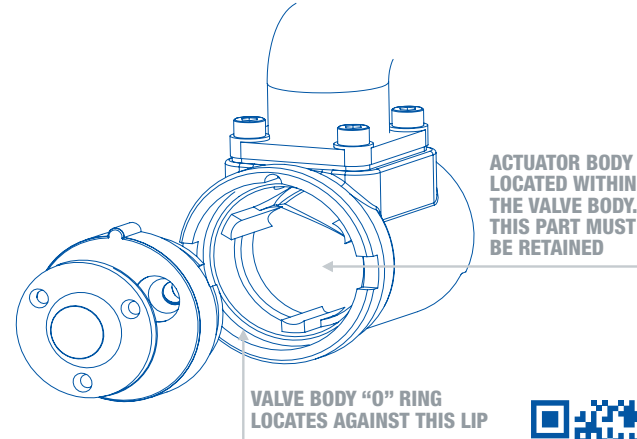
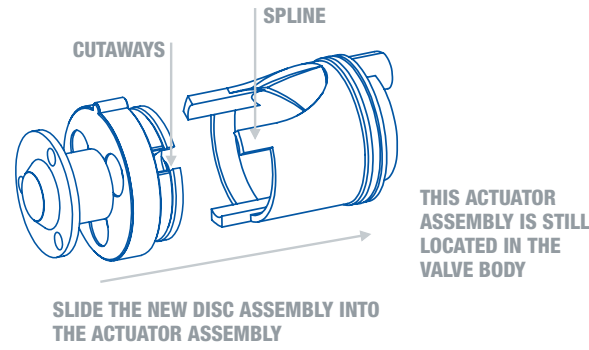
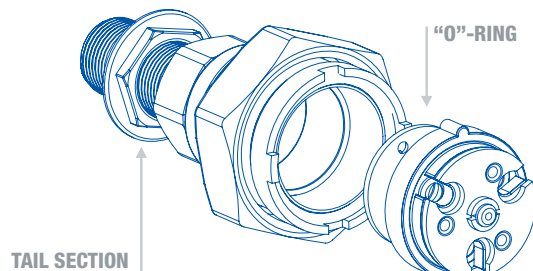
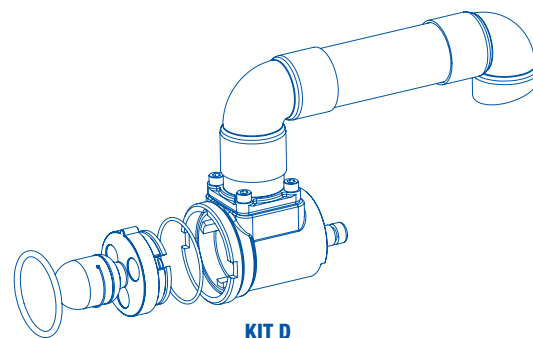
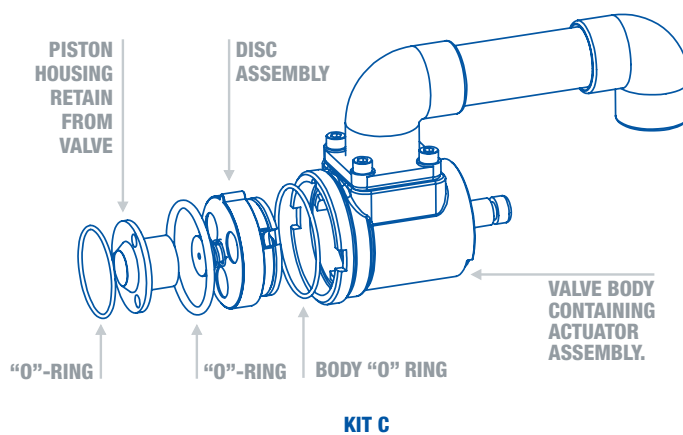
- 1 Remove and discard the old disc assembly and “o”-rings, noting which “o”-ring goes where. If you are replacing spares kit C, make sure you remove and keep the nylon piston housing.
- 2 **DO NOT** remove the actuator assembly. Ensure actuator assembly and tail section are clear from debris.
- 3 Ensure the actuator assembly has not been removed and remains in the valve body.
- 4 Insert the new valve body “o”-ring into the valve body which seats against the brass ledge.
- 5 Fit the new disc assembly into the valve body, ensuring the pressure plate cut out lines up with the cut out on the smaller ceramic disc.
- 6 Insert the remaining “o”-rings into the valve tail.

! On twin-outlet valves ensure the yellow actuator wheel is located in the left hand valve, when valve is viewed from the front.

REASSEMBLY AND ALIGNMENT

- 1 Refit the valve tail to the valve body, ensuring the large nut securely holds the tail to the body.
- 2 Refit the valve to the tank, ensuring the backnut holds the valve in place.
- 3 Refit the float system.
- 4 Realign valves in accordance with installation instructions.**
- 5 Check operation before reattaching water supply and opening isolation valve.

**K +KAX – make sure spirit level is aligned when valve is fully open.
 KB – make sure spirit level is aligned when valve is fully closed. Twin outlets – make sure both valves are aligned horizontally to each other.



Full installation guides available at www.keraflo.co.uk