



**Keraflo**  
OUR WORLD IS WATER

**AYLESBURY**

# **KAX VALVE**

## **INSTALLATION GUIDE**

**FOR VALVE SIZES (DN):**

**2”(50)HF**

**2½”(65)SF**

**3”(80)RB**

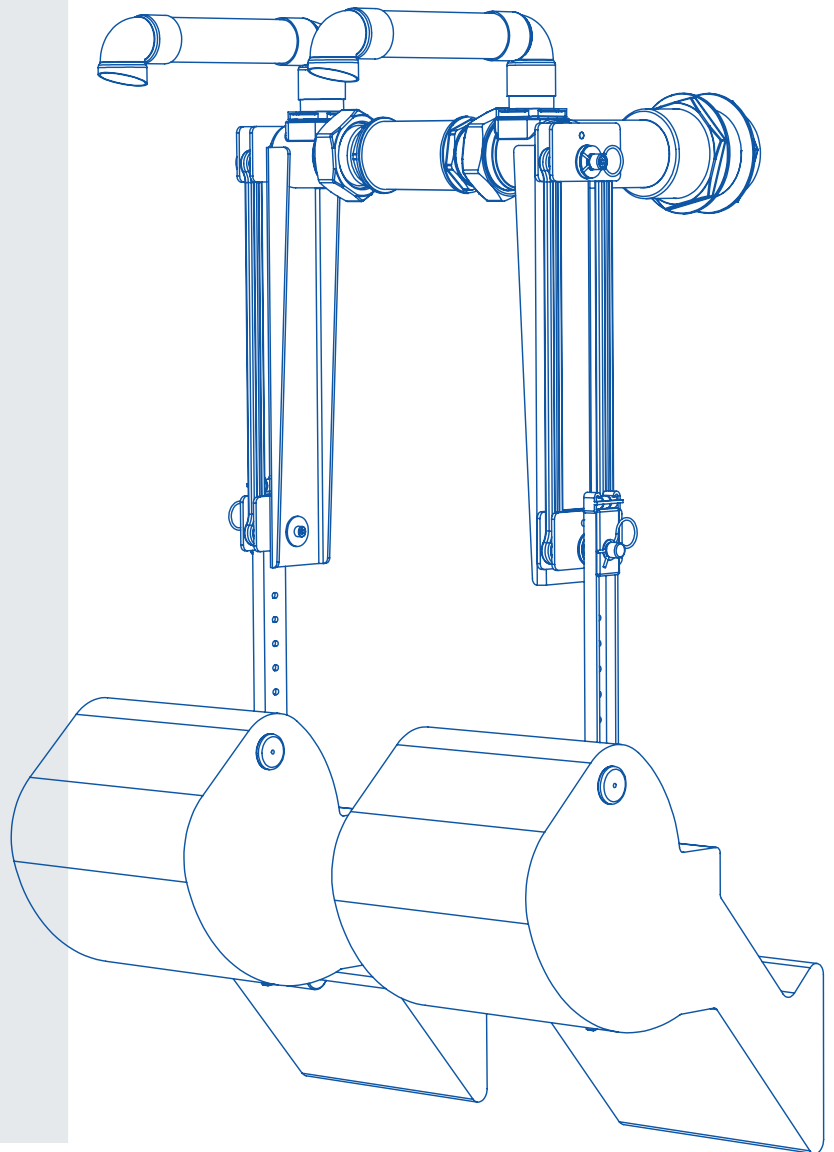
### **IMPORTANT**

**PLEASE KEEP FOR FUTURE REFERENCE.**

**PLEASE READ THESE INSTRUCTIONS CAREFULLY AND REFER TO ANY DIAGRAMS BEFORE INSTALLATION.**

These instructions contain important information which will help you install your **KERAFLO** delayed action float valve correctly and ensure safe use and maintenance.

For further assistance please ring our Customer Helpline: **0118 921 9920**



# KERAFLO AYLESBURY VALVES ARE UNLIKE ANY OTHER FLOAT OPERATED VALVE, BALLCOCK OR FLOAT VALVE.

**KERAFLO** Aylesbury delayed action float valves contain a pair of maintenance free ceramic discs.

There are rare occasions when it may be necessary to partially disassemble the valve, for example, to clear a blockage or to replace some parts.

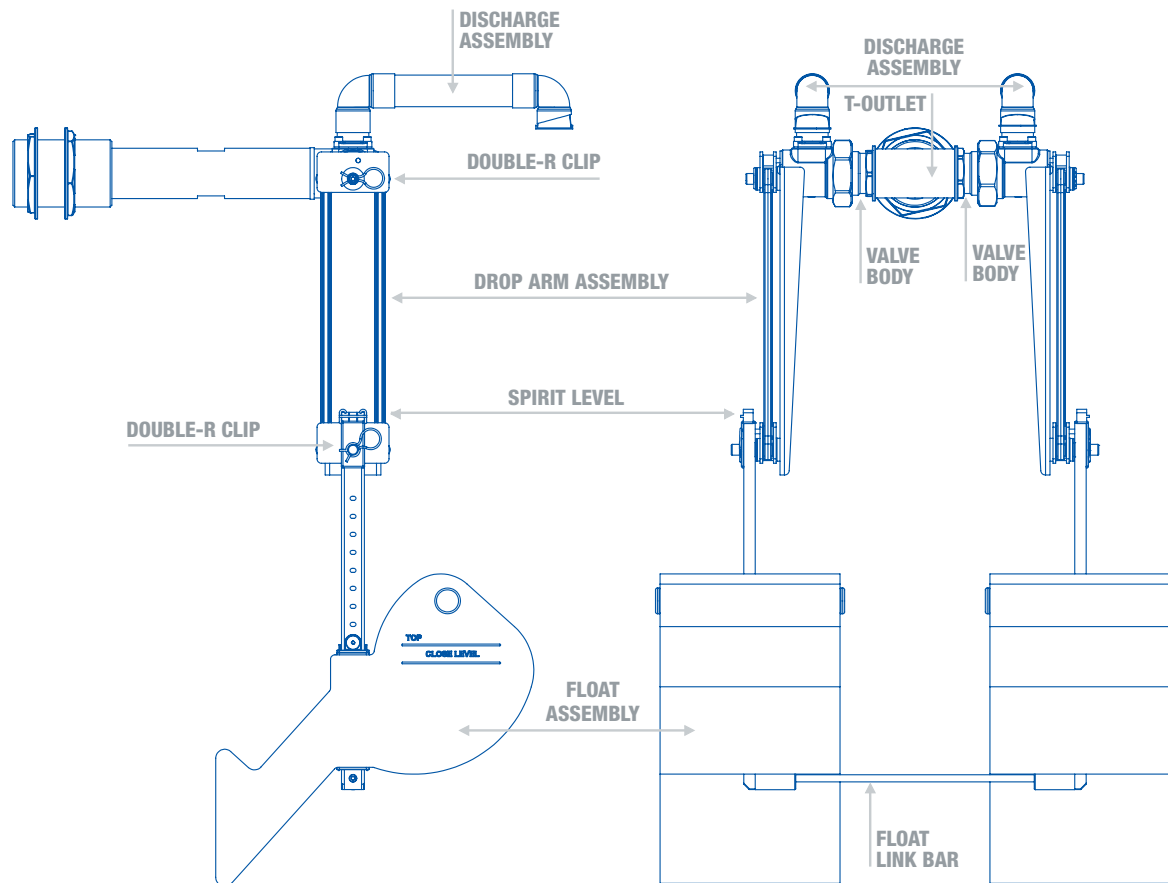
If the problem you are experiencing cannot be solved by using a spares kit contact **KERAFLO** or your supplier.

## IMPORTANT

**PLEASE READ THESE INSTRUCTIONS CAREFULLY AND REFER TO ANY DIAGRAMS BEFORE INSTALLATION.**

**INSTALLATION OF VALVES SHOULD BE IN ACCORDANCE WITH THE WATER SUPPLY (WATER FITTINGS) REGULATIONS 2010 AND BS 8558:2015.**

**TANKS AND PIPES SHOULD BE DISINFECTED USING THE PROCEDURES IN BS EN 806-4:2010 SECTION 6: COMMISSIONING.**



Once the valve has been installed and tested, complete and apply the tank label to the tank and send a photograph of the label in place to [warranties@keraflo.co.uk](mailto:warranties@keraflo.co.uk) in order to receive a full five years' extended warranty for the valve. See warranty sheets for full details.

# PRE-INSTALLATION CHECKS

**RAISED VALVE CHAMBERS:**

Use a KAX or KB Type valve for tanks with raised chambers.  
**DO NOT USE A K TYPE VALVE FOR THESE TANKS.**

**OPERATING SPACE:**

Check for sufficient clearance. The working dimensions are shown on the attached drawings on page 9 & 10.

**OVERFLOW/WARNING PIPES:**

Check the position of the overflow and warning pipe (where fitted).  
 See drawing on page 9.

**TURBULENT WATER:**

Exceptionally turbulent waters, such as in cooling towers, should be avoided directly beneath the float. Calming measures such as baffle plates, still ponds etc. should be used in these installations.

**FLANGED TANKS:**

The design of the valves, allows sufficient clearance between the float and most internal tank flanges and ribs. The valve backnuts may be adjusted to enable fitting to tanks with large flanges; provided a minimum of 20mm exists between the float and tank wall throughout the arc of the float.

**ROUND TANKS:**

Minimum tank diameters required.

VALVE	2"HF	2½"SF	3"RB
MIN TANK DIAMETER (M)	0.65M	0.65M	0.65M

**NOTE: TO ENSURE SUFFICIENT OPERATING CLEARANCE IT MAY BE NECESSARY TO EXTEND THE PIPEWORK TO POSITION THE VALVE ASSEMBLY IN THE CENTRE OF THE TANK CHAMBER.**

**SLOPING TANK WALL:**

The wall to which the Aylesbury KAX Valve is to be attached must be vertical. If the wall around the fixing hole is sloped, tapered washers must be used. These should be available from the tank supplier.

**PIPEWORK SUPPORT:**

**KERAFLO** Aylesbury valves create virtually no tank wall stress. It is therefore not necessary to provide additional support to the pipework as long as the Code of Practice for the Support of Pipework in general is met.

**ISOLATING VALVE:**

An isolating valve must be fitted as near as is reasonably practicable to the **KERAFLO** valve.

# INSTALLATION INSTRUCTIONS

The valve is supplied with the float arm and discharge assemblies detached. To avoid damage it is recommended, where possible, to fit both of these assemblies **AFTER** installing the valve in the tank.

- 1** Before fitting the valve, flush the supply pipes to clear all debris.
- 2** Remove and retain the double-R clips, washers and bushes from the bottom of both drop arm assemblies.
- 3** Remove and retain the backnut closest to the end of the tail.
- 4** Insert the valve tail through the hole in the tank wall observing the side of the T-outlet marked "TOP".
- 5** Replace the backnut with the flanged side against the tank wall.

**ONLY USE A WRENCH ON THE VALVE WHERE INDICATED IN DIAGRAM 2.**

## WARNING!

**THE BUILT-IN SPIRIT LEVEL MUST BE USED TO ALIGN THIS VALVE. FAILURE TO FOLLOW THE PROCEDURE LISTED BELOW WILL PREVENT THE VALVE OPERATING CORRECTLY AND WILL INVALIDATE THE WARRANTY.**

**INSTALLATION OF VALVES SHOULD BE IN ACCORDANCE WITH THE WATER SUPPLY (WATER FITTINGS) REGULATIONS 2010 AND BS 8558:2015.**

**TANKS AND PIPES SHOULD BE DISINFECTED USING THE PROCEDURES IN BS EN 806-4:2010 SECTION 6: COMMISSIONING.**

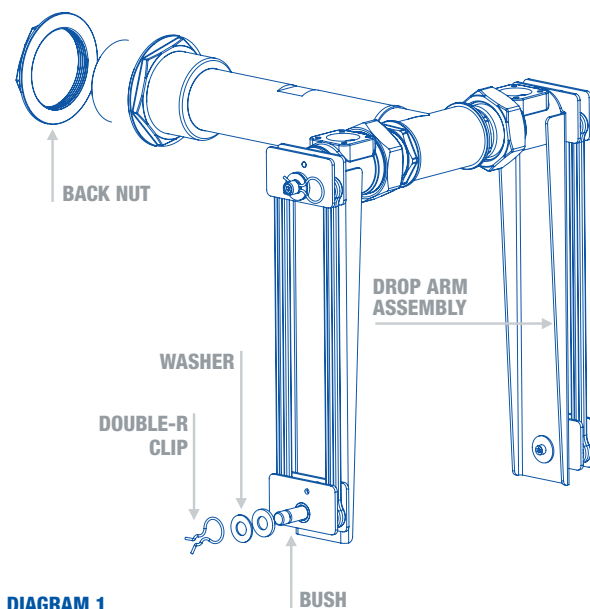


DIAGRAM 1

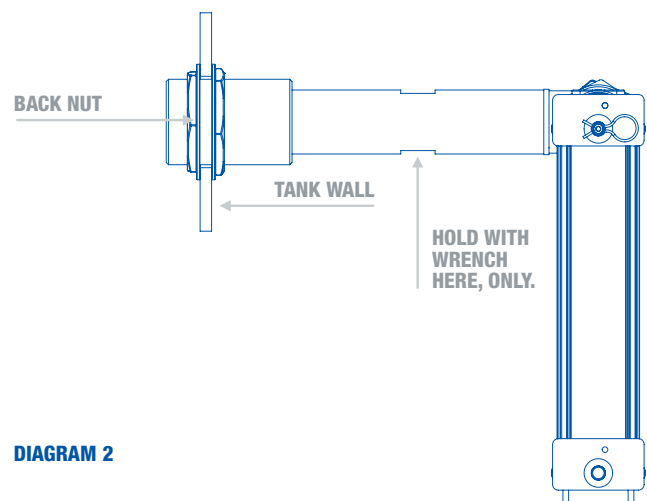
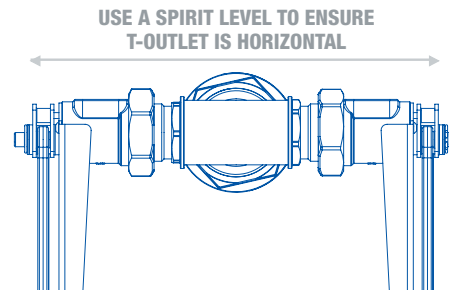


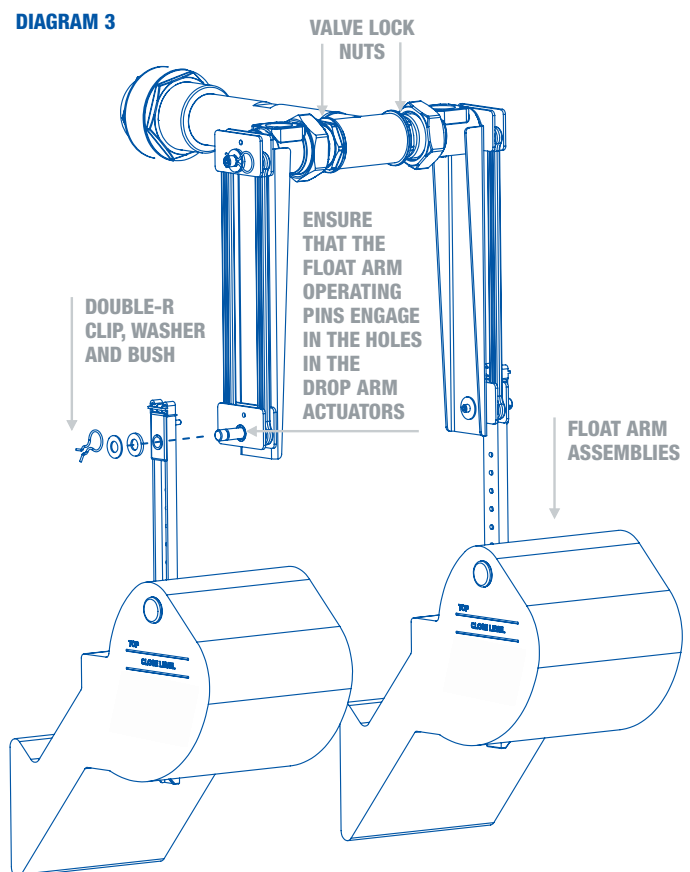
DIAGRAM 2

**6** Level the two valves on the T-outlet by placing a spirit level across the T-outlet, parallel to the tank wall on which it is mounted and twisting the whole assembly to bring the valves level.



**7** Tighten the backnut sufficiently to hold the complete valve in position but note that it may be necessary to move the valve later after the float clearances have been measured.

**8** Fit the float arm assemblies, fixing them in place with the parts retained at step 2, checking the correct positioning of the bush with the recessed side against the float arm. **ENSURE THAT THE FLOAT ARM OPERATING PINS ENGAGE IN THE HOLES IN THE DROP ARM ACTUATORS AND THAT THE FLOAT MARKED WITH A RED DOT IS FITTED TO THE VALVE WHICH IS ALSO MARKED WITH A RED DOT.**



**9** If the valves are not level, each individual valve can be rotated at its screwed connection into the T-outlet. This joint is sealed by an “o”-ring so can be moved without fear of a leak.

**10** Loosen the valve locknuts on the T-outlet and rotate each valve individually as necessary so that the float arms are **ABSOLUTELY VERTICAL**.

- 11 Align each valve, tighten the locknuts, and re-check the alignment. **EACH BUBBLE MUST BE PRECISELY BETWEEN THE BLACK LINES ON THE SPIRIT LEVEL.**
- 12 Check that the clearance between the tank wall and the floats is at least 25mm. If it is less than this, move the assembly further into the tank by adjusting the tank wall backnuts and repeating steps 6-7 and 9-11.
- 13 When the clearance and the levels are correctly set, fully tighten the backnuts holding the assembly to the tank wall.
- 14 Using the supplied 4mm Allen key, remove the two M5 x 12 screws from the end of the float link bar.
- 15 Place the bar between the lowest holes of the two Float Arms and attach using the M5 x 12 screws as shown in Diagram 5.
- 16 Tighten using the Allen key, ensuring that the Float Arms remain parallel.

DIAGRAM 4

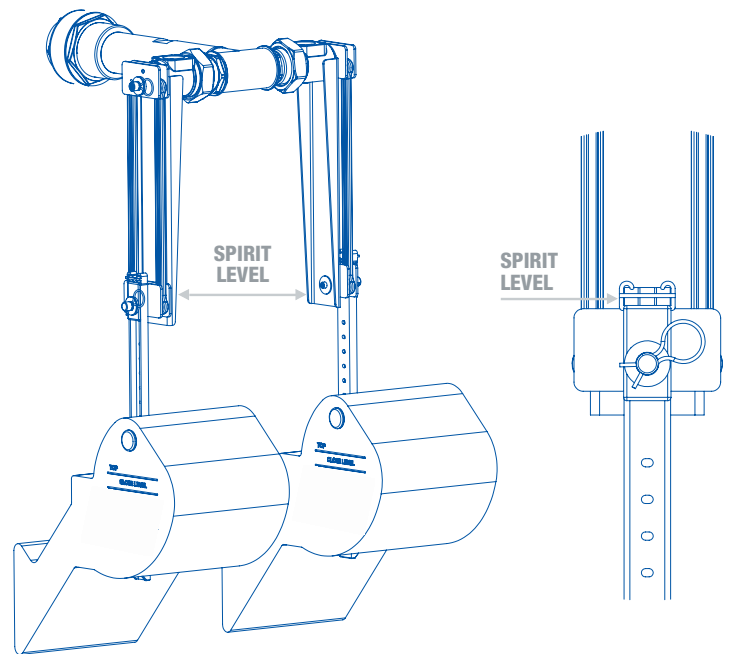
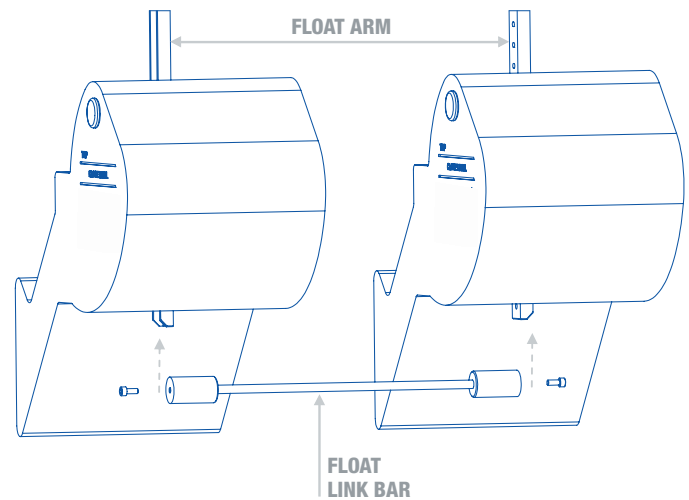


DIAGRAM 5



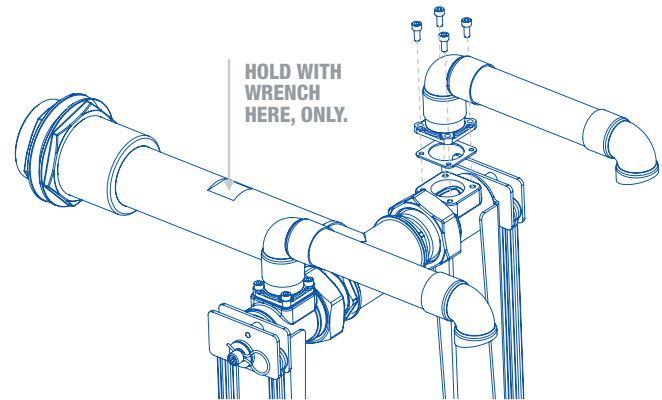
**17** Using the 4mm Allen key supplied, fit the discharge assembly referring to Diagram 6 for the direction.

**18** Connect the supply pipe after an isolating valve and hand tighten the connection backnut. To prevent the valve turning when tightening the pipe fitting, use either a wrench or a spanner on the valve tail where indicated in Diagram 6.

**DO NOT USE A WRENCH ON ANY OTHER PART OF THE VALVE**

**19** Adjust closing level, test and use.

DIAGRAM 6



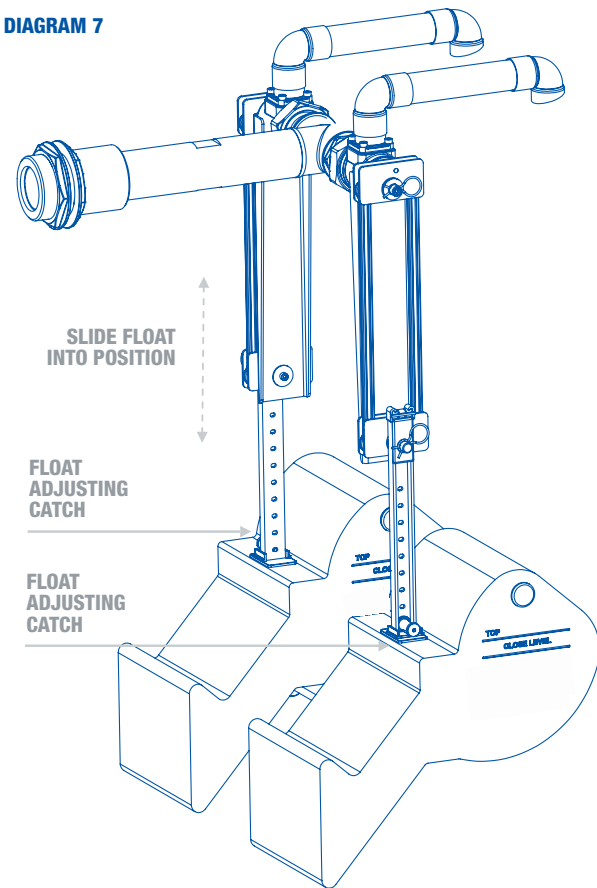
**ALIGNMENT WARNING!**

**THE FLOAT ARMS MUST BE FITTED IN THE VERTICAL POSITION WHEN THE VALVES ARE FULLY OPEN. THIS IS CRITICAL TO THE OPERATION OF THE VALVES.**

## ADJUSTING CLOSING WATER LEVEL (TWL)

- 1 Pull out the float adjusting catches.
- 2 Move the floats to the desired position.
- 3 Release catches and ensure the pins locate in desired hole.
- 4 Ensure that both floats are set to the same level.
- 5 The delayed action (level differential) is the difference between the Opening and the Closing Levels. This will be between 125 and 166mm and is not adjustable. The delay will be ~125mm if the float is at the top of the float arm and ~166mm if the float is at the bottom of the arm.

DIAGRAM 7



## TESTING

Before leaving the installation, manually move the valves to test operation a number of times, ensuring that they move freely from the open to the closed position and from the closed to the open position.

Where a valve has not been in operation for one month it is also recommended that the above procedure is carried out.

**ONCE THE VALVES HAVE BEEN INSTALLED AND TESTED, COMPLETE AND APPLY THE TANK LABEL TO THE TANK AND SEND A PHOTOGRAPH OF THE LABEL IN PLACE TO WARRANTY@KERAFLO.CO.UK IN ORDER TO RECEIVE A FULL FIVE YEARS' EXTENDED WARRANTY FOR THE VALVE. SEE WARRANTY SHEETS FOR FULL DETAILS.**

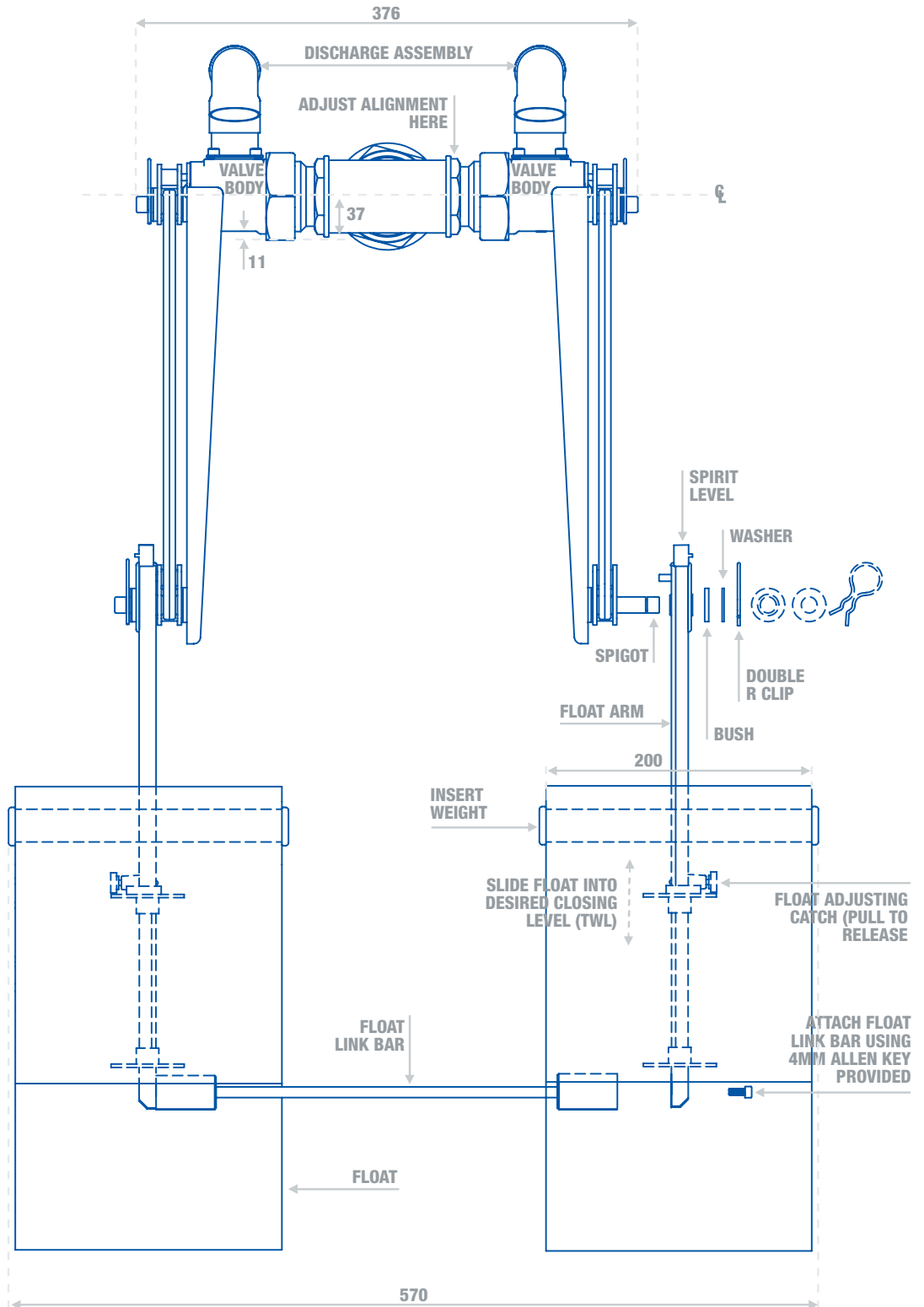


# SIZES (DN):

2”(50)HF

2½”(65)SF

3”(80)RB



## BASIC SPECIFICATION:

Maximum static pressure: 10bar

Maximum flow rate: 3m/s nominal pipe velocity (Flow Rate and Pipe Velocity chart is available at [www.keraflo.co.uk](http://www.keraflo.co.uk))

Temperature range: 1°C – 60°C

Level differential: 125 – 166mm non-adjustable delayed action

Parallel male BSP (G) connection.

See page 10 for side view

# SIZES (DN):

2”(50)HF    2½”(65)SF    3”(80)RB

## WARNING

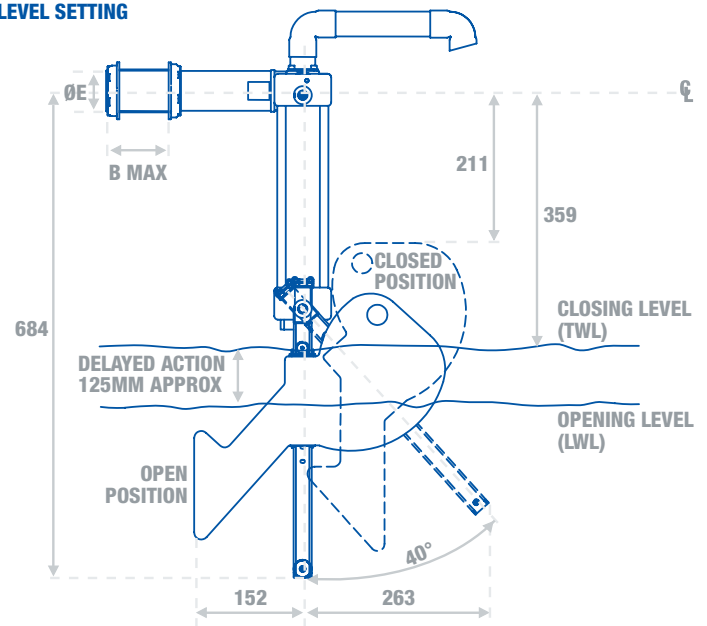
THE FLOAT ARM MUST BE FITTED ABSOLUTELY VERTICALLY (IN THE OPEN POSITION) AS INDICATED BY THE SPIRIT LEVEL (SEE BELOW).

MISALIGNMENT WILL PREVENT THE VALVE FROM CLOSING.

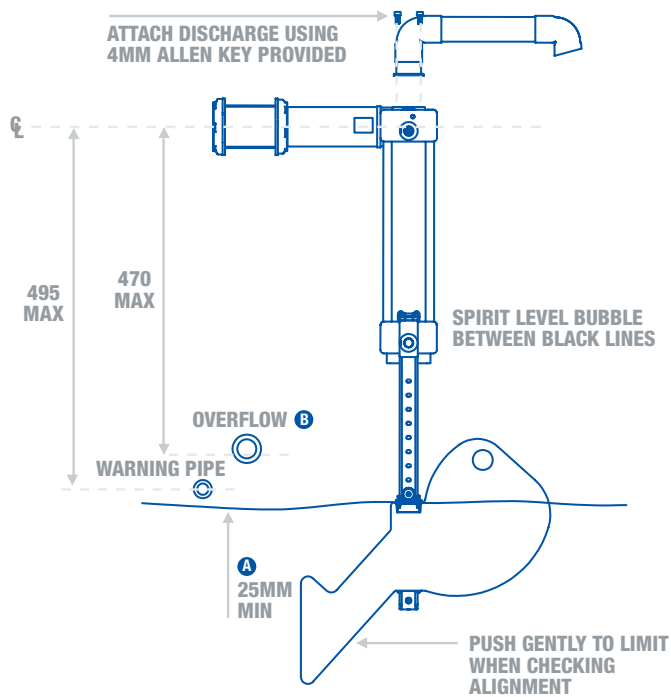
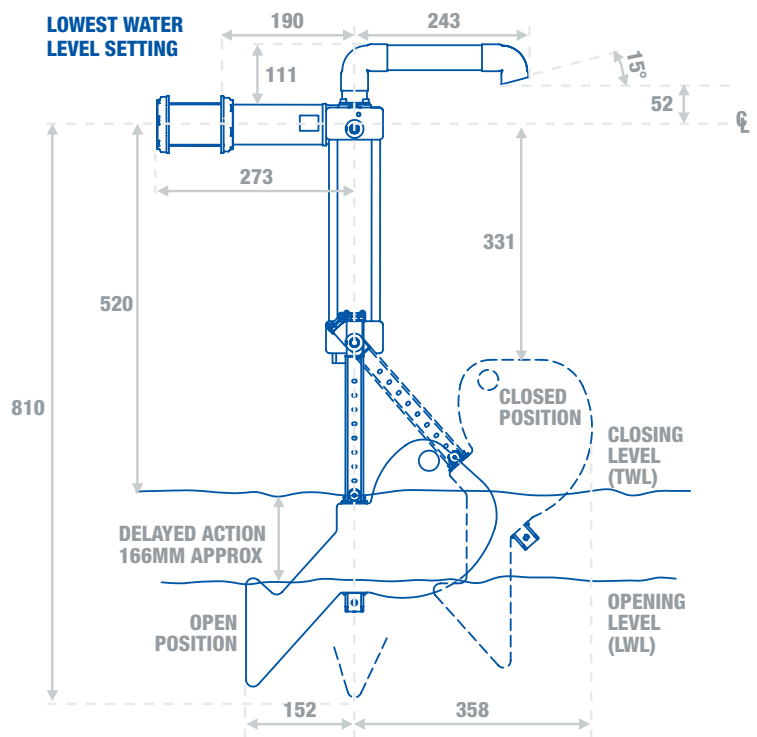
ENSURE OVERFLOW LEVEL IS NOT LOWER THAN 470MM FROM THE CENTRE LINE OF THE VALVE; AND HIGHER FOR TURBULENT WATER.

THE WARNING PIPE AND OVERFLOW OUTLET SHOULD ALWAYS BE ABOVE THE HIGHEST WATER LEVEL ACHIEVED BEFORE THE VALVE CLOSURES.

HIGHEST WATER LEVEL SETTING



LOWEST WATER LEVEL SETTING



## NOTES:

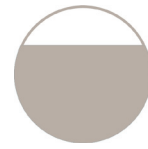
**A** SCHD2, SECT 7, G16.5 Water Regs. Gaps should be more if water is turbulent – especially if near valve discharge.

**B** Typically twice inlet bore. SCHD 2, SECT 7, G16.10 Water Regs. Warning/overflow pipes should be capable of taking any possible flow in the pipe arising from inlet valve failure.

See page 9 for front view.

DN	50HF	65SF	80RB
SIZE	2”HF	2½”SF	3”RB
BMAX	95	100	99
ØE	60	75.5	89

INTENTIONALLY BLANK



**Keraflo**  
OUR WORLD IS WATER

INTENTIONALLY BLANK