

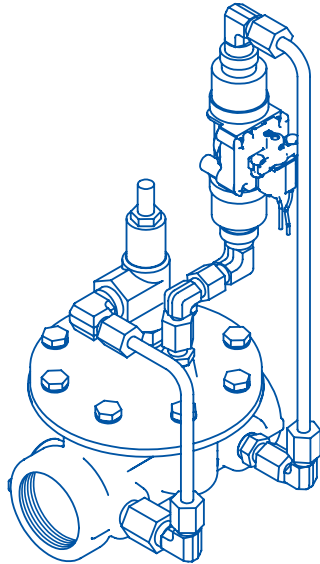
<b>PRODUCT</b>	<b>TANKTRONIC</b>
	<b>CONTROL VALVE (FLANGED FITTING)</b>
	<b>CONTROL VALVE (BSP FITTING)</b>



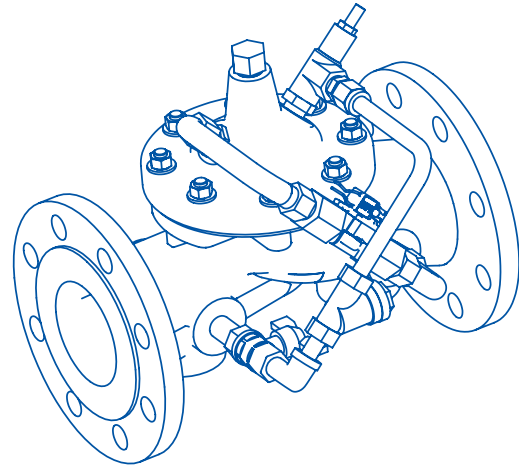
**Keraflo**  
OUR WORLD IS WATER

CONTROLKV Rev2

## CONTROL VALVE Kv VALUES (FLANGED FITTING & BSP FITTING)



BSP fitting



Flanged fitting

## FLOW RATE

PRESSURE DROP ACROSS VALVE	FLOW RATE FOR NOMINAL INCH (MM) VALVE AT STATED PRESSURE DROP								
	BSP FITTING			FLANGED FITTING					
	¾"	1"	1 ¼"	1½"	2"	2½"	3"	4"	6"
	20mm	25mm	32mm	40mm	50mm	65mm	80mm	100mm	150mm
<b>BAR</b>	l/s	l/s	l/s	l/s	l/s	l/s	l/s	l/s	l/s
0.01	0.20	0.32	0.72	0.8	0.9	1.2	1.6	3.3	5.8
0.02	0.29	0.45	1.02	1.1	1.3	1.7	2.3	4.7	8.2
0.04	0.41	0.64	1.44	1.6	1.8	2.4	3.2	6.6	11.6
0.06	0.50	0.78	1.76	1.9	2.2	2.9	3.9	8.1	14.2
0.10	0.64	1.01	2.28	2.5	2.8	3.8	5.1	10.5	18.4
0.15	0.79	1.24	2.79	3.0	3.4	4.6	6.2	12.8	22.5
0.20	0.91	1.43	3.22	3.5	4.0	5.3	7.2	14.8	26.0
0.25	1.02	1.60	3.60	3.9	4.4	6.0	8.1	16.5	29.0
0.30	1.12	1.75	3.94	4.3	4.9	6.5	8.8	18.1	31.8
0.50	1.44	2.26	5.09	5.5	6.3	8.4	11.4	23.4	41.1
1.00	2.04	3.19	7.19	7.8	8.9	11.9	16.1	33.1	58.1
2.00	2.88	4.52	10.17	11.0	12.6	16.9	22.8	46.7	82.1
3.00	3.53	5.53	12.46	13.5	15.4	20.7	27.9	57.3	100.6
<b>Kv M³/HR</b>	7.34	11.5	25.9	28	32	43	58	119	209

tel 0118 921 9920 ■ info@keraflo.co.uk ■ www.keraflo.co.uk

Keraflo Ltd Unit 1 Woodley Park Estate, 59-69 Reading Road, Woodley, Berkshire RG5 3AN